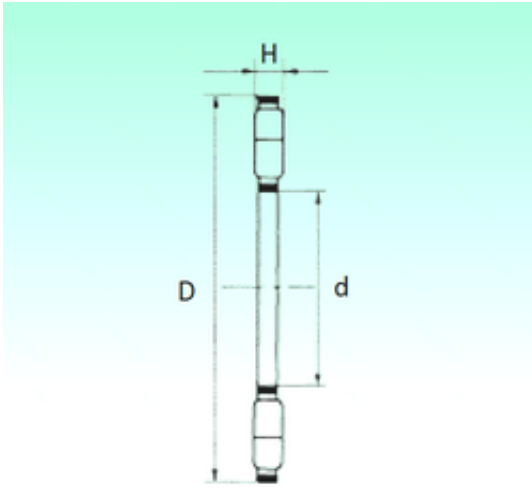




NTPT NTK BEARINGS CO.,LTD.



NBS K89420-M thrust roller bearings

Bearing No. K89420-M

Bore Diameter	100 mm
Outer Diameter	210 mm
d	100 mm
D	210 mm
Dw	22 mm
Weight	2,4 Kg
Basic dynamic load rating (C)	849 kN
Basic static load rating (C0)	2847,9 kN

K89420-M Bearing 2D drawings and 3D CAD models