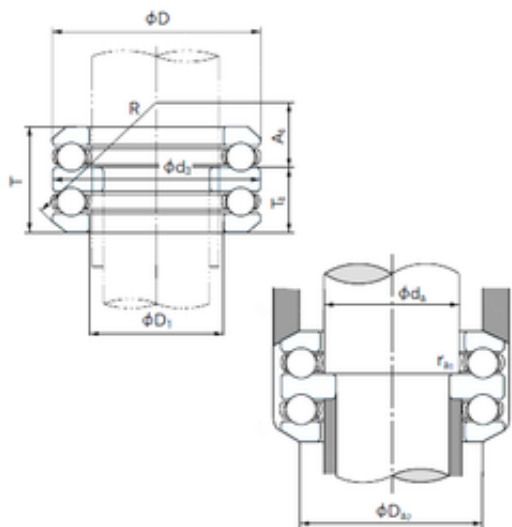




NTPT NTK BEARINGS CO.,LTD.



54216 Bearing 2D drawings and 3D CAD models

NACHI 54216 thrust ball bearings

Bearing No. 54216

Size	80x115x51 mm
Bore Diameter	80 mm
Outer Diameter	115 mm
Width	51 mm
d	80 mm
d2	65 mm
D	115 mm
T	51 mm
ra1 max.	1 mm
T1	30.5 mm
a	10 mm
d3	115 mm
r min.	1 mm
r1 min.	1 mm
A1	45 mm
D1	82 mm
D2	98 mm
D3	120 mm
R	90 mm
da min.	80 mm
Da max.	98 mm
ra max.	1 mm
Weight	1.67 Kg
Basic dynamic load rating (C)	78,5 kN
Basic static load rating (C0)	219 kN
(Grease) Lubrication Speed	1700 r/min



NTPT NTK BEARINGS CO.,LTD.