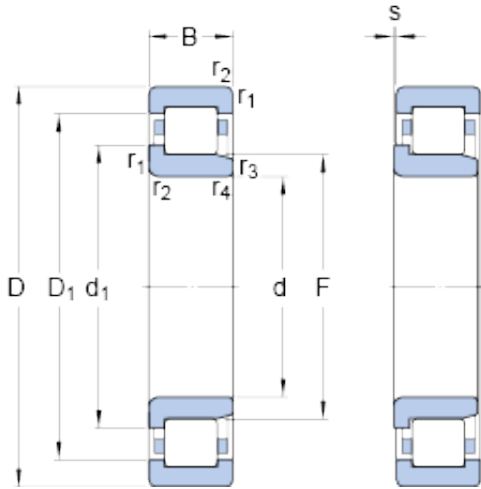




NTPT NTK BEARINGS CO.,LTD.



45 mm x 85 mm x 19 mm SKF NJ 209 ECP thrust ball bearings

Bearing No. NJ 209 ECP

NJ 209 ECP Bearing 2D drawings and 3D CAD models

Size	85x45x19 mm
Bore Diameter	85 mm
Outer Diameter	45 mm
Width	19 mm
d	45 mm
D	85 mm
B	19 mm
d ₁	59 mm
D ₁	72.4 mm
F	54.5 mm
r _{1,2} - min.	1.1 mm
r _{3,4} - min.	1.1 mm
s	1.2 mm
d _a - min.	52 mm
d _a - max.	53 mm
d _b - min.	61 mm
D _a - max.	77.6 mm
r _a - max.	1 mm
Basic dynamic load rating - C	69.5 kN
Basic static load rating - C ₀	64 kN
Fatigue load limit - P _u	8.2 kN
Reference speed	9000 r/min
Limiting speed	9500 r/min
Calculation factor - k _r	0.15



NTPT NTK BEARINGS CO.,LTD.

Category	Cylindrical Roller Bearings
Inventory	0.0
Manufacturer Name	SKF
Minimum Buy Quantity	N/A
Weight / Kilogram	0.458
EAN	7316577022691
Product Group	B04144
Bore Profile	Straight
Cage Material	Polymer
Precision Class	RBEC 1 ISO P0
Number of Rows of Rollers	Single Row
Separable	Inner Ring - One Side
Rolling Element	Cylindrical Roller Bearing
Profile	Complete with Outer and Inner Ring
Snap Ring	No
Internal Clearance	C0-Medium
Retainer	Yes
Relubricatable	Yes
Inch - Metric	Metric
Other Features	High Capacity 1 Rib Inner Ring 2 Rib Outer Ring Cage on Outer Ring ID
Long Description	45MM Bore; Straight Bore Profile; 85MM Outside Diameter; 19MM Width; Polymer Cage Material; RBEC 1 ISO P0; Single Row; Inner Ring - One Side Separable; No Snap Ring; Relubricatable; C0-Medium Inter
Category	Cylindrical Roller Bearing
UNSPSC	31171547
Harmonized Tariff Code	8482.50.00.00
Noun	Bearing



NTPT NTK BEARINGS CO.,LTD.

Manufacturer URL	http://www.skf.com
Manufacturer Item Number	NJ 209 ECP
Weight / LBS	1.008
Bore	1.772 Inch 45 Millimeter
Outside Diameter	3.346 Inch 85 Millimeter
Width	0.748 Inch 19 Millimeter
bore diameter:	45 mm
precision rating:	RBEC 1 (ISO Class Normal)
outside diameter:	85 mm
maximum rpm:	9500 RPM
overall width:	19 mm
bearing material:	Steel
flanges:	(2) Outer Ring, (1) Inner Ring
cage material:	Polyamide
bore type:	Straight
finish/coating:	Uncoated
number of rows:	1
closure type:	Open
internal clearance:	C0
application:	Piston Type Machines, Rolling Mills, Spindles/Machine Tools
ring separation:	Separable Ring
outer ring width:	19 mm
operating temperature range:	Maximum of +300 ° F
fillet radius:	1 mm
dynamic load capacity:	69.5 kN
series:	NJ2
static load capacity:	64 kN
d ₁	59 mm
D ₁	72.4 mm



NTPT NTK BEARINGS CO.,LTD.

$r_{1,2}$ min.	1.1 mm
$r_{3,4}$ min.	1.1 mm
s max.	1.2 mm
d_a min.	52 mm
d_a max.	53 mm
d_b min.	61 mm
D_a max.	77.6 mm
r_a max.	1 mm
Basic dynamic load rating C	69.5 kN
Basic static load rating C_0	64 kN
Fatigue load limit P_u	8.15 kN
Calculation factor k_r	0.15
Limiting value e	0.2
Axial load factor Y	0.6
Mass bearing	0.44 kg