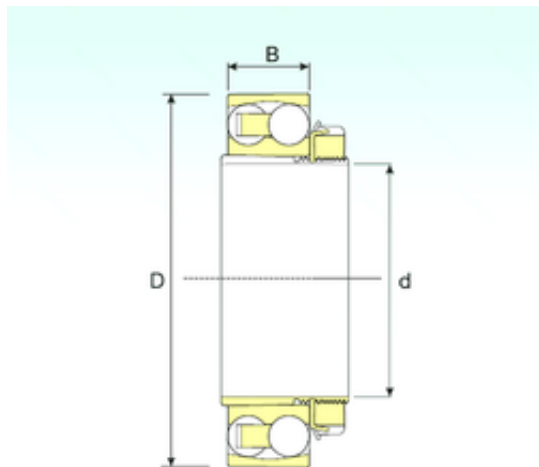




NTPT NTK BEARINGS CO.,LTD.



80 mm x 190 mm x 64 mm ISB 2318 K+H2318
self-aligning ball bearings

Bearing No. 2318 K+H2318

Size	80x190x64 mm
Bore Diameter	80 mm
Outer Diameter	190 mm
Width	64 mm
d	80 mm
D	190 mm
B	64 mm
B1	86 mm
C	64 mm
Weight	9,8 Kg
Basic dynamic load rating (C)	149,9 kN
Basic static load rating (C0)	55,9 kN
(Grease) Lubrication Speed	3443 r/min

2318 K+H2318 Bearing 2D drawings and 3D CAD models