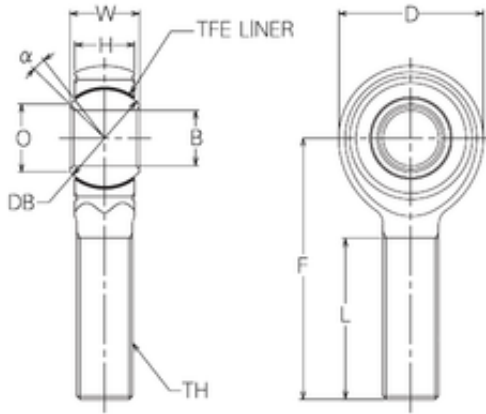




NTPT NTK BEARINGS CO.,LTD.

18 mm x 43 mm x 18 mm NMB HRT18E Plain bearing

Bearing No. HRT18E



HRT18E Bearing 2D drawings and 3D CAD models

Bore Diameter	18 mm
Width	18 mm
d	18 mm
Db	28,58 mm
O	20,4 mm
B	18 mm
D	43 mm
F	79,5 mm
H	16,3 mm
L	46 mm
W	20 mm
Angle	10 °
Thread (TH)	M18 × 1,5