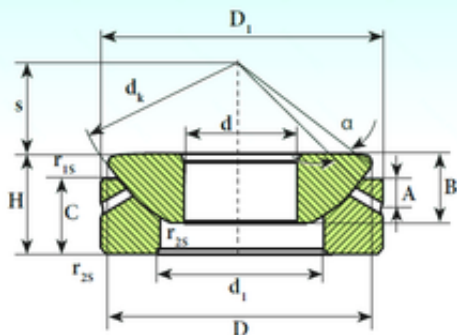




NTPT NTK BEARINGS CO.,LTD.

180 mm x 299 mm x 74 mm ISB GX 180 S Plain bearing

Bearing No. GX 180 S



GX 180 S Bearing 2D drawings and 3D CAD models

Size	180x299x74 mm
Bore Diameter	180 mm
Outer Diameter	299 mm
Width	74 mm
d	180 mm
d1	225 mm
D	299 mm
B	74 mm
C	62 mm
H	86 mm
dk	335 mm
r1 min.	1,5 mm
r2 min.	0,6 mm
s	67,5 mm
A	26 mm
D1	320 mm
Angle	8 °
Weight	31 Kg
Basic dynamic load rating (C)	2430 kN