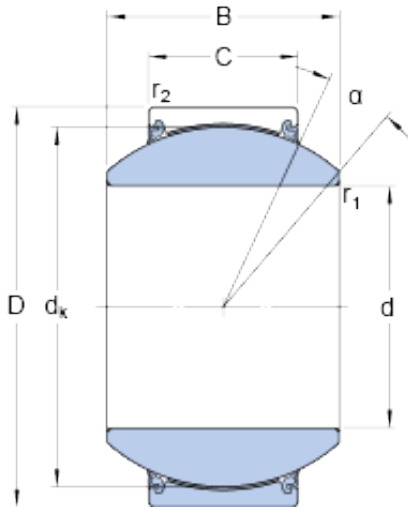




NTPT NTK BEARINGS CO.,LTD.



GEH 60 TXE-2LS Bearing 2D drawings and 3D CAD models

60 mm x 105 mm x 63 mm SKF GEH 60 TXE-2LS Plain bearing

Bearing No. GEH 60 TXE-2LS

Size	105x60x63 mm
Bore Diameter	105 mm
Outer Diameter	60 mm
Width	63 mm
d	60 mm
D	105 mm
B	63 mm
C	40 mm
	17 °
d _k	92 mm
r ₁ - min.	1 mm
r ₂ - min.	1 mm
d _a - min.	67 mm
d _a - max.	67 mm
D _a - min.	92 mm
D _a - max.	99 mm
r _a - max.	1 mm
r _b - max.	1 mm
Basic dynamic load rating - C	880 kN
Basic static load rating - C ₀	1460 kN
Specific factor dynamic load - K	300 N/mm ²
Specific factor static load - K ₀	500 N/mm ²
Lubricant	Maintenance free – dry



NTPT NTK BEARINGS CO.,LTD.

	Lubrication
Design (sliding contact surface combination)	Steel/PTFE fabric
Sealing solution	Triple-lip seals
	17 °
d_k	92 mm
r_1 min.	1 mm
r_2 min.	1 mm
d_a min.	67 mm
d_a max.	67 mm
D_a min.	92 mm
D_a max.	99 mm
r_a max.	1 mm
r_b max.	1 mm
Basic dynamic load rating C	880 kN
Basic static load rating C_0	1460 kN
Specific dynamic load factor K	300 N/mm ²
Specific static load factor K_0	500 N/mm ²
Mass plain bearing	2.06 kg