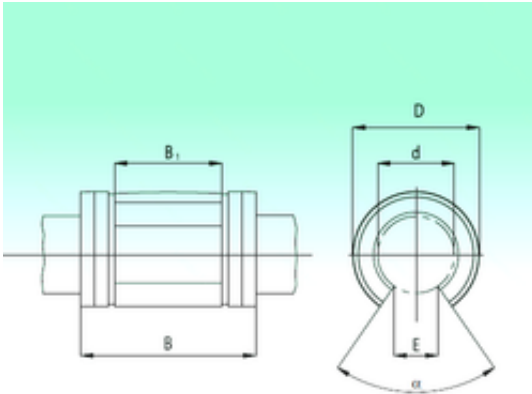




NTPT NTK BEARINGS CO.,LTD.



KNO4080 Bearing 2D drawings and 3D CAD models

40 mm x 62 mm x 80 mm NBS KNO4080 Linear bearing

Bearing No. KNO4080

Size	40x62x80 mm
Bore Diameter	40 mm
Outer Diameter	62 mm
Width	80 mm
d	40 mm
D	62 mm
B	80 mm
Angle ()	56 °
B1	56 mm
E	19,5 mm
Weight	0,3 Kg
Basic dynamic load rating (C)	5,72 kN