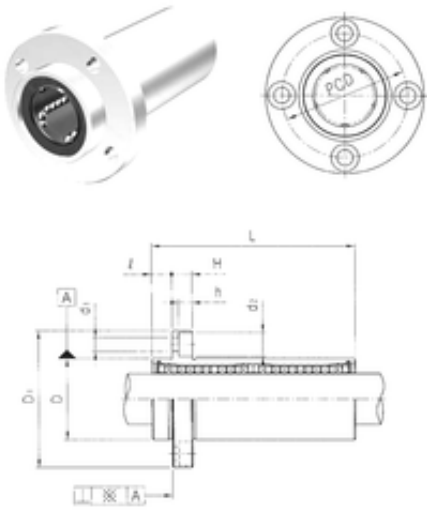




# NTPT NTK BEARINGS CO.,LTD.



LMEFP30L Bearing 2D drawings and 3D CAD models

## Samick LMEFP30L Linear bearing

Bearing No. LMEFP30L

Bore Diameter	30 mm
Outer Diameter	47 mm
d	30 mm
D	47 mm
d1	11 mm
d2	6,5 mm
h	10 mm
D1	76 mm
H	62 mm
L	123 mm
PCD	6,6 mm
	10 Tolerance h14
Tolerance perpendicularity (C)	17
Weight	0,655 Kg
Basic dynamic load rating (C)	2,49 kN