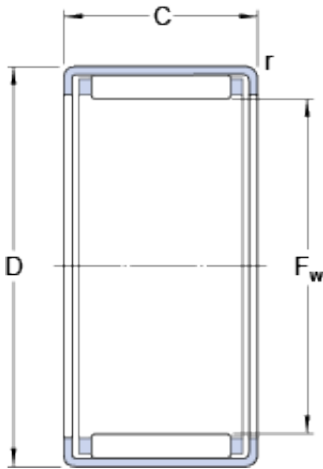




NTPT NTK BEARINGS CO.,LTD.



HK 3224 Bearing 2D drawings and 3D CAD models

SKF HK 3224 Cylindrical roller bearing

Bearing No. HK 3224

Size	39x32x24 mm
Bore Diameter	39 mm
Outer Diameter	32 mm
Width	24 mm
F_w	32 mm
D	39 mm
C	24 mm
r - min.	0.8 mm
Basic dynamic load rating - C	26.4 kN
Basic static load rating - C_0	54 kN
Fatigue load limit - P_u	6.6 kN
Reference speed	7500 r/min
Limiting speed	8500 r/min
F_w	32 mm
r min.	0.8 mm
Basic dynamic load rating C	26.4 kN
Basic static load rating C_0	54 kN
Fatigue load limit P_u	6.55 kN
Mass bearing	0.049 kg
Designation bearing	HK 3224