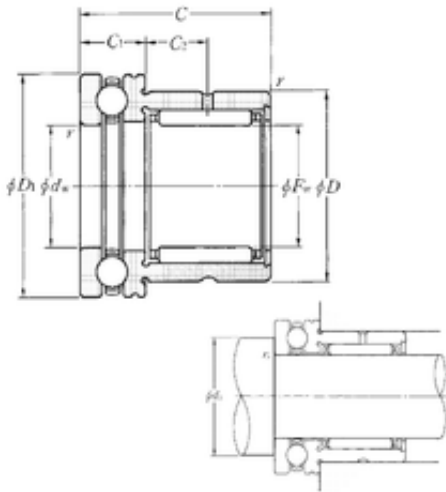




NTPT NTK BEARINGS CO.,LTD.



NKX25T2 Bearing 2D drawings and 3D CAD models

NTN NKX25T2 Complex bearing

Bearing No. NKX25T2

Bore Diameter	25 mm
Outer Diameter	42 mm
d	25 mm
Fw	25 mm
D	37 mm
D1	42 mm
C	30 mm
r min.	0,6 mm
C1	11 mm
da min.	35 mm
ra max.	0,6 mm
C2	9,5 mm
Weight	0,125 Kg
Dynamic load rating radial (C)	14,2 kN
Dynamic load rating axial (C)	19,6 kN
Static load rating radial (C0)	24 kN
Static load rating axial (C0)	37 kN
(Grease) Lubrication Speed	4600 r/min
dw	25 mm
rs min	0.6 mm
Dw	2 mm
Dw1	6.35 mm
Lw	13.8 mm
Lubrication hole on outer ring	Oui/Yes



NTPT NTK BEARINGS CO.,LTD.

k	2.5 mm
Precision class	P0
Mass	0.12 kg
Cr	14.2 kN
Ca	19.6 kN
C0r	24 kN
C0a	37 kN
Nlim (grease)	4,600 rpm
Nlim (oil)	6,500 rpm
Min operating temperature, Tmin	-20 ° C
Max operating temperature, Tmax	120 ° C
da min	35 mm
ras max	0.6 mm
Category	Roller Bearings
Inventory	0.0
Manufacturer Name	NTN
Minimum Buy Quantity	N/A
Weight / Kilogram	0.131
EAN	4547359126259
Product Group	B04144