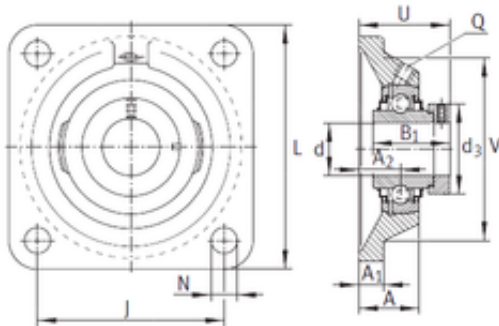




NTPT NTK BEARINGS CO.,LTD.

INA RCJ70 Bearing unit



Bearing No. RCJ70

Bore Diameter	70 mm
d	70 mm
V	165 mm
U	82,6 mm
Thread (Q)	Rp1/8
d3	96 mm
A	52 mm
A1	18 mm
B1	66 mm
J	150 mm
L	188 mm
N	18 mm
A2	38 mm
Weight	5,85 Kg
Basic dynamic load rating (C)	62 kN
Category	Flange Block Bearings
Inventory	0.0
Manufacturer Name	SCHAEFFLER GROUP
Minimum Buy Quantity	N/A
Weight / Kilogram	6.856
EAN	4012802066593
Product Group	M06110
Number of Mounting Holes	4
Mounting Method	Eccentric Collar
Housing Style	4 Bolt Square Flange Block
Rolling Element	Ball Bearing

RCJ70 Bearing 2D drawings and 3D CAD models



NTPT NTK BEARINGS CO.,LTD.

Housing Material	Cast Iron
Expansion / Non-expansion	Non-expansion
Mounting Bolts	18 Millimeter
Relubricatable	Yes
Insert Part Number	GE70KRRB
Seals	Double Land Riding Rubber Contact
Housing Configuration	1 Piece Solid
Pilot Configuration	No Pilot
Inch - Metric	Metric
Long Description	4 Bolt Square Flange Block; 70MM Bore; 212.1MM Bolt Circle; 150MM Bolt Spacing; 1 Piece Solid; Eccentric Collar Mount; Cast Iron; Ball Bearing; 66.1MM Length Thru Bore; Relubricatable; Double Land Rid
Other Features	Single Row With Set Screw
Category	Flange Block
UNSPSC	31171501
Harmonized Tariff Code	8483.20.40.40
Noun	Bearing
Keyword String	Flanged
Manufacturer URL	http://www.ina.com
Manufacturer Item Number	RCJ70
Weight / LBS	13.01
Nominal Bolt Circle Diameter Round	8.4 Inch 212.1 Millimeter
Bore	2.756 Inch 70 Millimeter
Bolt Spacing	5.906 Inch 150 Millimeter
Cartridge Pilot Depth	0 Inch 0 Millimeter
Length Thru Bore	2.602 Inch 66.1 Millimeter
Cartridge Pilot Diameter	0 Inch 0 Millimeter



NTPT NTK BEARINGS CO.,LTD.