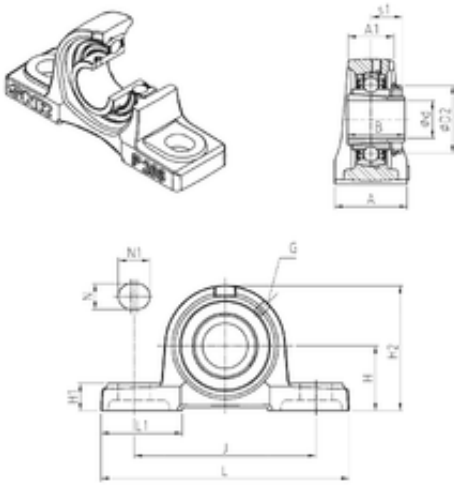




NTPT NTK BEARINGS CO.,LTD.



SNR UKP305H Bearing unit

Bearing No. UKP305H

Bore Diameter	20 mm
d	20 mm
s1	21,5 mm
A	45 mm
A1	32 mm
B	35 mm
D2	38 mm
H	45 mm
H1	15 mm
H2	85 mm
J	132 mm
L	175 mm
L1	54 mm
N	17 mm
N1	20 mm
Thread (G)	M6x1
Weight	1,6 Kg
Basic dynamic load rating (C)	22,36 kN

UKP305H Bearing 2D drawings and 3D CAD models