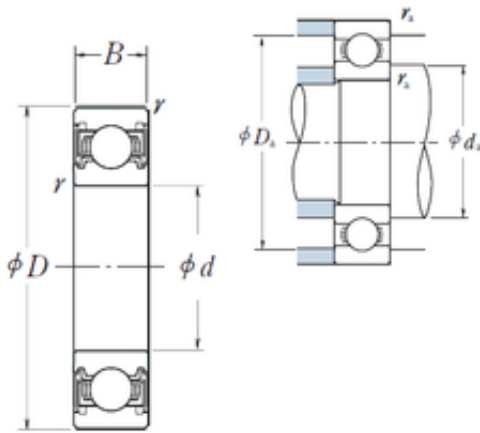




# NTPT NTK BEARINGS CO.,LTD.



## 25 mm x 47 mm x 12 mm NSK 6005VV Ball bearing

Bearing No. 6005VV

6005VV Bearing 2D drawings and 3D CAD models

Size	25x47x12 mm
Bore Diameter	25 mm
Outer Diameter	47 mm
Width	12 mm
d	25 mm
D	47 mm
B	12 mm
C	12 mm
r min.	0,6 mm
da min.	29 mm
da max	30 mm
Da max.	43 mm
ra max.	0,6 mm
Weight	0,079 Kg
Basic dynamic load rating (C)	10,1 kN
Basic static load rating (C0)	5,85 kN
(Grease) Lubrication Speed	15 000 r/min
Category	Single Row Ball Bearings
Inventory	0.0
Manufacturer Name	NSK
Minimum Buy Quantity	N/A
Weight / Kilogram	0.04
EAN	0029176012617
Product Group	B00308
Enclosure	2 Seals



## NTPT NTK BEARINGS CO.,LTD.

Precision Class	ABEC 1   ISO P0
Maximum Capacity / Filling Slot	No
Rolling Element	Ball Bearing
Snap Ring	No
Internal Special Features	No
Cage Material	Steel
Enclosure Type	Non-Contact Seal
Internal Clearance	C0-Medium
Inch - Metric	Metric
Long Description	25MM Bore; 47MM Outside Diameter; 12MM Outer Race Diameter; 2 Seals; Ball Bearing; ABEC 1   ISO P0; No Filling Slot; No Snap Ring; No Internal Special Features
Category	Single Row Ball Bearing
UNSPSC	31171504
Harmonized Tariff Code	8482.10.50.68
Noun	Bearing
Keyword String	Ball
Manufacturer URL	<a href="http://www.nskamericas.com">http://www.nskamericas.com</a>
Manufacturer Item Number	6005VV
Weight / LBS	0.08
Outer Race Width	0.472 Inch   12 Millimeter
Outside Diameter	1.85 Inch   47 Millimeter
Bore	0.984 Inch   25 Millimeter
SRI	3.21
hidYobi	6005VV
LangID	1
D_	47
SREX	0.04
B_	12



## NTPT NTK BEARINGS CO.,LTD.

da min	29
hidTable	ecat_NSRDGB
SRE	3.37
mass	0.079
GRS rpm	15000
ra	0.6
SRIX	0.02
D_a	43
SRIN	0
C0	5.85
fo	14.5
SREN	0
DE_	41.85
Prod_Type3	DGBB_SR_VV
DA_	6.35
bomp	0
Z_	10
yobi	6005VV
C_conv	10100
ALPHA_	0
SDM_	35.5
r	0.6
KBRG	6151
SBRG	10
DI_	29.15