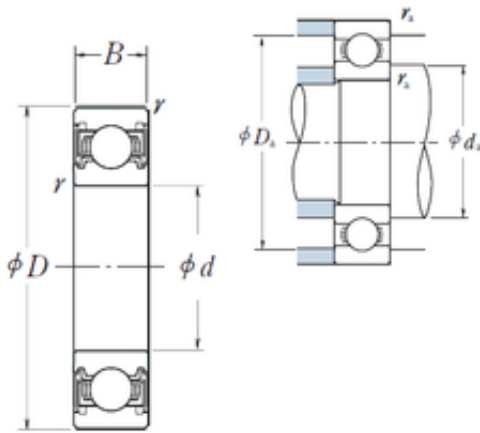




# NTPT NTK BEARINGS CO.,LTD.



## 32 mm x 58 mm x 13 mm NSK 60/32VV Ball bearing

Bearing No. 60/32VV

60/32VV Bearing 2D drawings and 3D CAD models

Size	32x58x13 mm
Bore Diameter	32 mm
Outer Diameter	58 mm
Width	13 mm
d	32 mm
D	58 mm
B	13 mm
C	13 mm
r min.	1 mm
da min.	37 mm
da max	38,5 mm
Da max.	53 mm
ra max.	1 mm
Weight	0,122 Kg
Basic dynamic load rating (C)	15,1 kN
Basic static load rating (C0)	9,15 kN
(Grease) Lubrication Speed	12 000 r/min
Category	Single Row Ball Bearings
Inventory	0.0
Manufacturer Name	NSK
Minimum Buy Quantity	N/A
Weight / Kilogram	0.12
EAN	0029176636172
Product Group	B00308
Enclosure	2 Seals



## NTPT NTK BEARINGS CO.,LTD.

Precision Class	ABEC 1   ISO P0
Maximum Capacity / Filling Slot	No
Rolling Element	Ball Bearing
Snap Ring	No
Internal Special Features	No
Cage Material	Steel
Enclosure Type	Non-Contact Seal
Internal Clearance	C0-Medium
Inch - Metric	Metric
Long Description	32MM Bore; 58MM Outside Diameter; 13MM Outer Race Width; 2 Seals; Ball Bearing; ABEC 1   ISO P0; No Filling Slot; No Snap Ring; No Internal Special Features; C0-Medium Internal Clearance; Steel Cage;
Other Features	Deep Groove   Rubber Seal
Category	Single Row Ball Bearing
UNSPSC	31171504
Harmonized Tariff Code	8482.10.50.68
Noun	Bearing
Keyword String	Ball
Manufacturer URL	<a href="http://www.nskamericas.com">http://www.nskamericas.com</a>
Weight / LBS	0.269
Outside Diameter	2.283 Inch   58 Millimeter
Outer Race Width	0.512 Inch   13 Millimeter
Inner Race Width	0 Inch   0 Millimeter
Bore	1.26 Inch   32 Millimeter
SRI	4.01
hidYobi	60/32VV
LangID	1



## NTPT NTK BEARINGS CO.,LTD.

D_	58
SREX	0.04
B_	13
da min	37
hidTable	ecat_NSRDGB
SRE	4.21
mass	0.122
GRS rpm	12000
ra	1
SRIX	0.02
D_a	53
SRIN	0
C0	9.15
fo	14.5
SREN	0
DE_	52.938
Prod_Type3	DGBB_SR_VV
DA_	7.938
bomp	0
Z_	10
yobi	60/32VV
C_conv	15100
ALPHA_	0
SDM_	45
r	1
KBRG	6151
SBRG	10
DI_	37.062