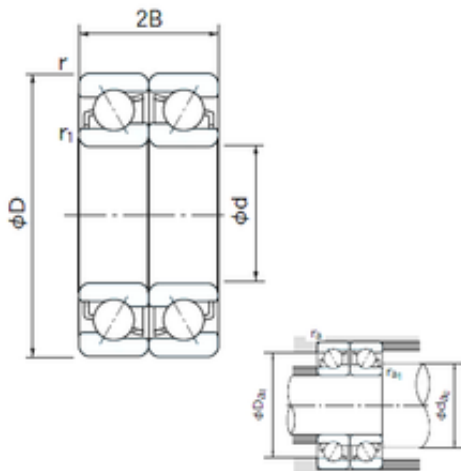




NTPT NTK BEARINGS CO.,LTD.



12 mm x 37 mm x 12 mm NACHI 7301DF
Angular contact ball bearing

Bearing No. 7301DF

7301DF Bearing 2D drawings and 3D CAD models

Size	12x37x12 mm
Bore Diameter	12 mm
Outer Diameter	37 mm
Width	12 mm
d	12 mm
D	37 mm
B	12 mm
C	12 mm
Angle (°)	30 °
a	1.1 mm
r min.	1 mm
r1 min.	0.6 mm
2B	24 mm
da min.	15 mm
Da max.	33.4 mm
ra max.	0.6 mm
Weight	0.063 Kg
Basic dynamic load rating (C)	18,2 kN
Basic static load rating (C0)	10,5 kN
(Grease) Lubrication Speed	15000 r/min
Bore Type	Cylindrical Bore
Enclosure	Open
Configuration	Duplex
Bore Size	12 mm
Outside Diameter	37 mm



NTPT NTK BEARINGS CO.,LTD.

Width	12 mm
Fillet Radius/Chamfer	1 mm
r1	0.6 mm
Dynamic Load Rating	18,200 N
Static Load Rating	10,500 N
Limiting Speed - Grease	15,000 rpm
Limiting Speed - Oil	20,000 rpm
da1 (min)	18 mm
da2 (min)	15 mm
Da1 (max)	31 mm
Da2 (max)	33.4 mm
ra (max)	1 mm
ra1 (max)	0.6 mm