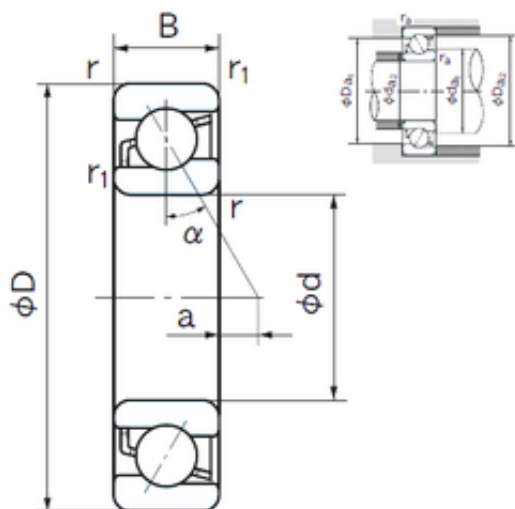




NTPT NTK BEARINGS CO.,LTD.



75 mm x 115 mm x 20 mm NACHI 7015 Angular contact ball bearing

Bearing No. 7015

7015 Bearing 2D drawings and 3D CAD models

| | |
|-------------------------------|------------------|
| Size | 75x115x20 mm |
| Bore Diameter | 75 mm |
| Outer Diameter | 115 mm |
| Width | 20 mm |
| d | 75 mm |
| D | 115 mm |
| B | 20 mm |
| C | 20 mm |
| Angle (°) | 30 ° |
| a | 17.4 mm |
| r min. | 1.1 mm |
| r1 min. | 0.6 mm |
| da min. | 81 mm |
| Da max. | 109 mm |
| ra max. | 1 mm |
| Weight | 0.695 Kg |
| Basic dynamic load rating (C) | 43,5 kN |
| Basic static load rating (C0) | 41,5 kN |
| (Grease) Lubrication Speed | 4800 r/min |
| Configuration | Single Row |
| Enclosure | Open |
| Bore Type | Cylindrical Bore |
| Bore Size | 75 mm |
| Outside Diameter | 115 mm |
| Width | 20 mm |



NTPT NTK BEARINGS CO.,LTD.

| | |
|-------------------------|-----------|
| Fillet Radius/Chamfer | 1.1 mm |
| r1 | 0.6 mm |
| Dynamic Load Rating | 43,500 N |
| Static Load Rating | 41,500 N |
| Limiting Speed - Grease | 4,800 rpm |
| Limiting Speed - Oil | 6,300 rpm |
| da1 (min) | 81 mm |
| da2 (min) | 81 mm |
| Da1 (max) | 109 mm |
| Da2 (max) | 111 mm |
| ra (max) | 1 mm |
| ra1 (max) | 0.6 mm |